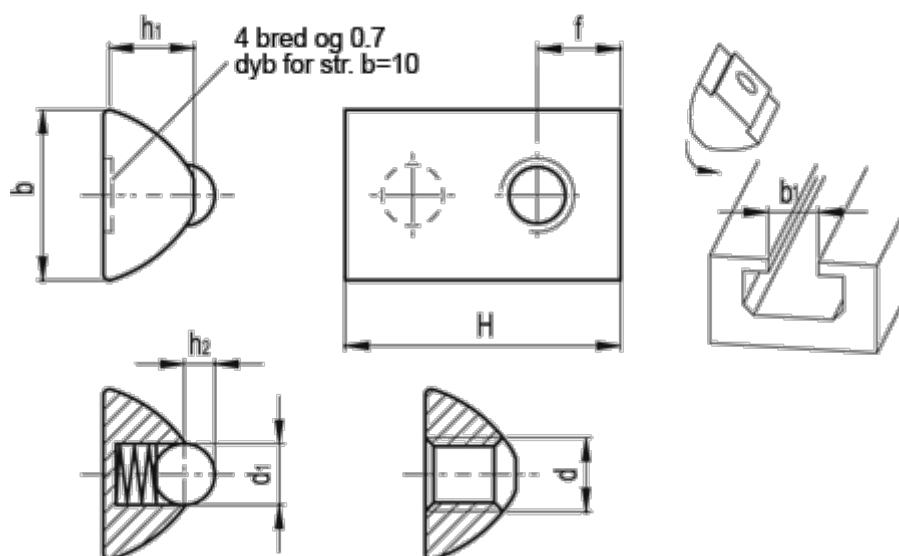


Article number: 20080384B

Description: E+G T-nut with guide step
GN 506.1-8-M4

Measures



b = 8 -0.1

b1 = 5

d = M4

d1 = 3

f = 4.0

H +0.5 = 12.0

h1 = 4.25

h2 = 0.7

Weight (g) = 2